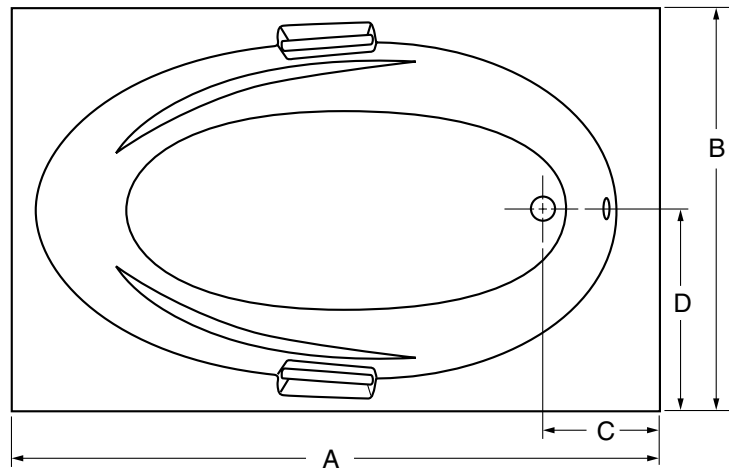


AV06042
 AV06642
 AV07242

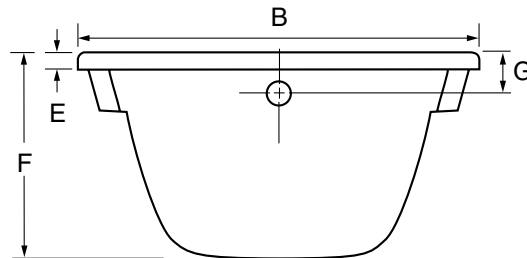
VENCO

MODEL	A	B	C	D	E	F	G
AV06042	60 1525 mm	42 1067	7 178	21 535	2 50	19½ 495	3 75
AV06642	66 1677 mm	42 1067	9 230	21 535	2 50	19½ 495	3 75
AV07242	72 1830 mm	42 1067	8½ 216	21 535	2 50	19½ 495	3 75

TOP VIEW



END VIEW



Specifications

Venco acrylic bathware is manufactured from .125 gauge solid acrylic sheet, reinforced with heavy-duty fiberglass to provide a sanitary, unbroken, smooth surface. Reinforcing and contouring gives added strength. Venco bathware is warranted against factory defects for five years.

All product measurements are to the outside of flange. Measurements plus (+) or minus (-) 1/4".

All Venco Products are Canadian Standards Association certified

VENCO

7584 Vantage Place, Delta, BC V4G 1A5
 Phone (604) 940-4960 • Fax (604) 940-9733
 email: venco@telus.net
 www.venco.ca

Water Capacity (Imperial Gallons)

MODEL	Minimum	Maximum
AV06042	27	52
AV06642	30	54
AV07242	32	58