

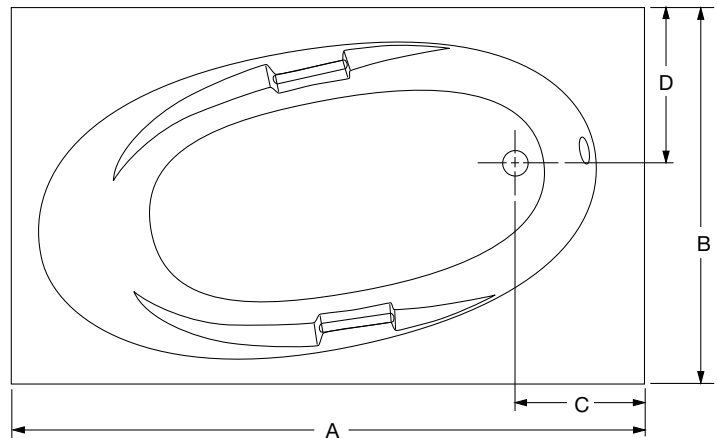
AV00FL6036

L/R

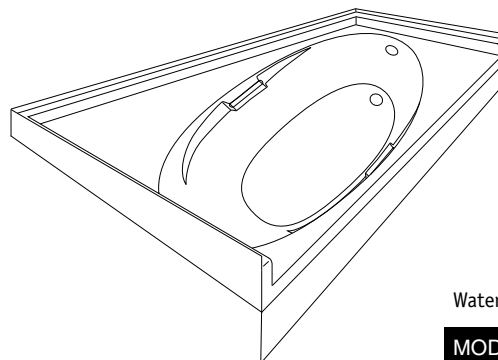
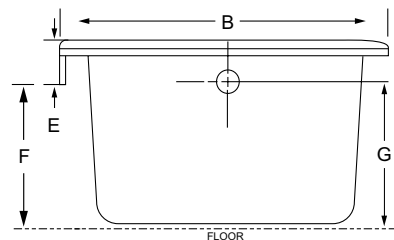


MODEL	A	B	C	D	E	F	G
AV00FL6036 L/R	59 3/4 1518 mm	36 915	9 1/2 241	13 1/4 337	4 102	16 1/2 419	15 1/2 394

TOP VIEW R.H. MODEL



END VIEW



Specifications

Venco acrylic bathware is manufactured from .125 gauge solid acrylic sheet, reinforced with heavy-duty fiberglass to provide a sanitary, unbroken, smooth surface. Reinforcing and contouring gives added strength. Venco bathware is warranted against factory defects for five years.

All product measurements are to the outside of flange. Measurements plus (+) or minus (-) 1/4".

All Venco Products are Canadian Standards Association certified.



7584 Vantage Place, Delta, BC V4G 1A5
 Phone (604) 940-4960 • Fax (604) 940-9733
 email: venco@telus.net
 www.venco.ca

Water Capacity (Imperial Gallons)

MODEL	Minimum	Maximum
AV00FL6036 L/R	26	50