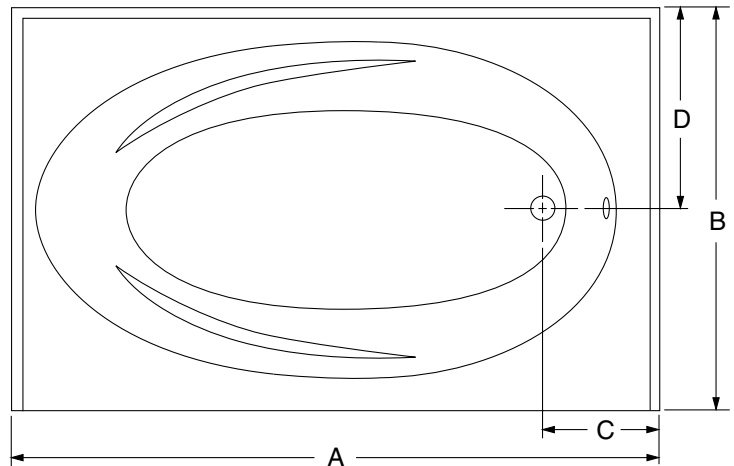


AV06042SK L/R

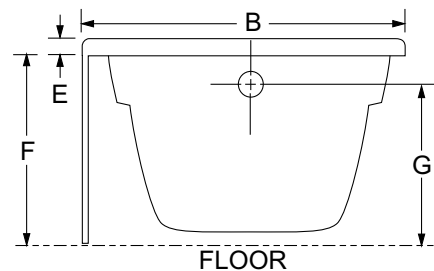


MODEL	A	B	C	D	E	F	G
AV06042SK L/R	59¾ 1518 mm	41¾ 1061	8¾ 209	20¾ 515	2 50	20½ 520	17½ 445

TOP VIEW R.H. MODEL



END VIEW



Specifications

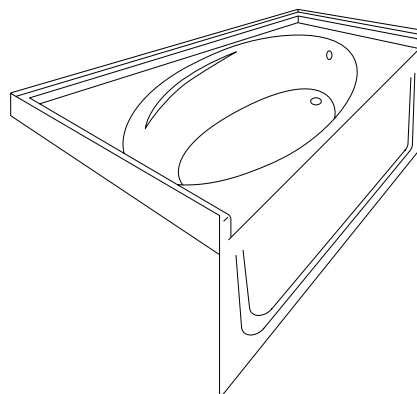
Venco acrylic bathware is manufactured from .125 gauge solid acrylic sheet, reinforced with heavy-duty fiberglass to provide a sanitary, unbroken, smooth surface. Reinforcing and contouring gives added strength. Venco bathware is warranted against factory defects for five years.

All product measurements are to the outside of flange. Measurements plus (+) or minus (-) 1/4".

All Venco Products are Canadian Standards Association certified



7584 Vantage Place, Delta, BC V4G 1A5
Phone (604) 940-4960 • Fax (604) 940-9733
email: venco@telus.net
www.venco.ca



Water Capacity (Imperial Gallons)

MODEL	Minimum	Maximum
AV06042SK L/R	40	75