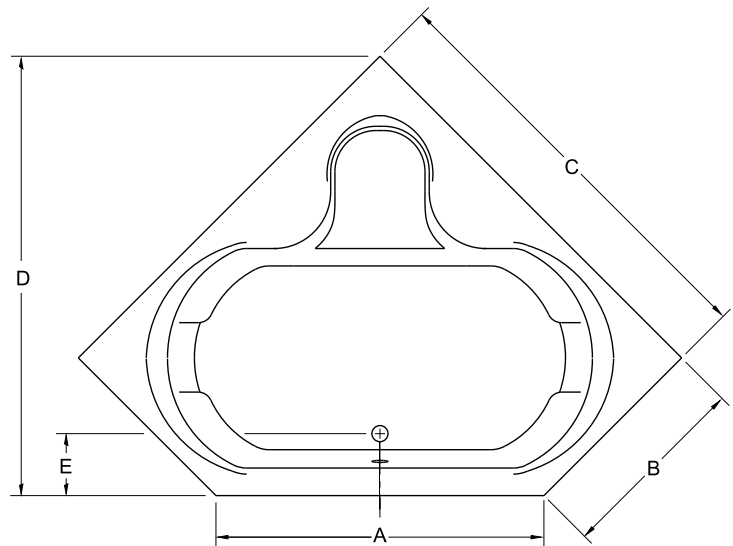


AVNC6060

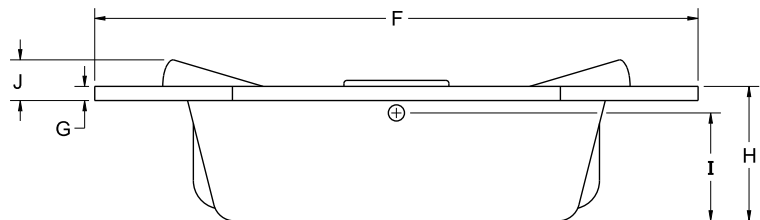


MODEL	A	B	C	D	E	F	G	H	I	J
AVNC6060	43 1093mm	28 711	59¼ 1506	62 1575	11 280	84 2134	2 50	20 508	15½ 394	4 102

TOP VIEW



SIDE VIEW



Specifications

Venco acrylic bathware is manufactured from .125 gauge solid acrylic sheet, reinforced with heavy-duty fiberglass to provide a sanitary, unbroken, smooth surface. Reinforcing and contouring gives added strength. Venco bathware is warranted against factory defects for five years.

All product measurements are to the outside of flange. Measurements plus (+) or minus (-) 1/4".

All Venco Products are Canadian Standards Association certified



7584 Vantage Place, Delta, BC V4G 1A5
 Phone (604) 940-4960 • Fax (604) 940-9733
 email: venco@telus.net
 www.venco.ca

Water Capacity (Imperial Gallons)

MODEL	Minimum	Maximum
AVNC6060	32	62