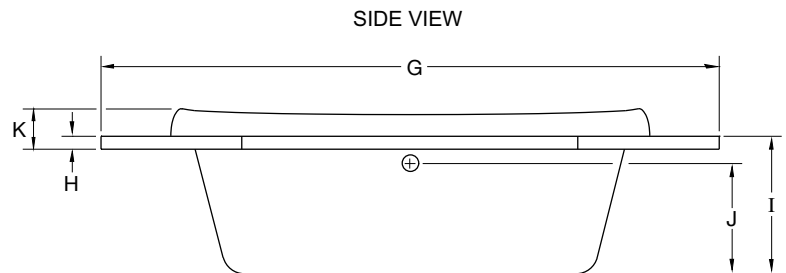
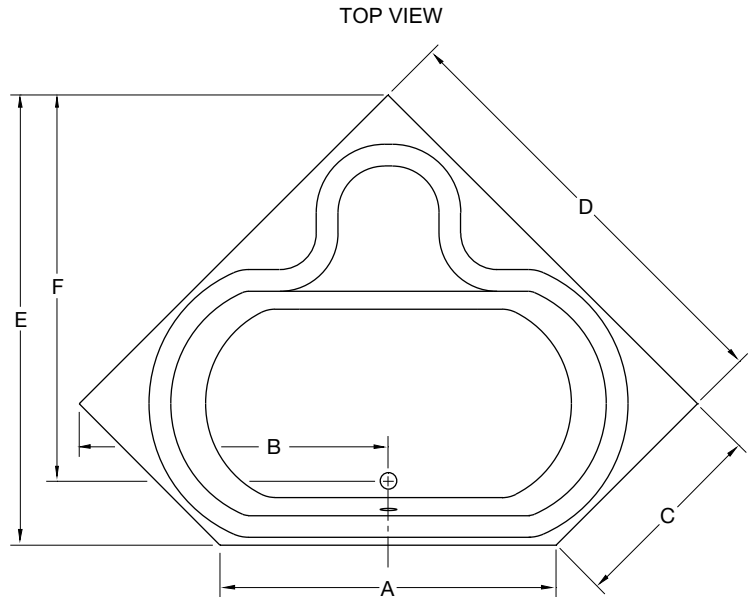


AVCDX6060



MODEL	A	B	C	D	E	F	G	H	I	J	K
AVCDX6060	45½	42½	27½	60¼	62	52½	85	1¾	19	17	4½
	1156 mm	1080	700	1530	1575	1334	2160	44	483	432	114



Specifications

Venco acrylic bathware is manufactured from .125 gauge solid acrylic sheet, reinforced with heavy-duty fiberglass to provide a sanitary, unbroken, smooth surface. Reinforcing and contouring gives added strength. Venco bathware is warranted against factory defects for five years.

All product measurements are to the outside of flange. Measurements plus (+) or minus (-) 1/4".

All Venco Products are Canadian Standards Association certified



7584 Vantage Place, Delta, BC V4G 1A5
 Phone (604) 940-4960 • Fax (604) 940-9733
 email: venco@telus.net
 www.venco.ca

Water Capacity (Imperial Gallons)

MODEL	Minimum	Maximum
AVCDX6060	40	73