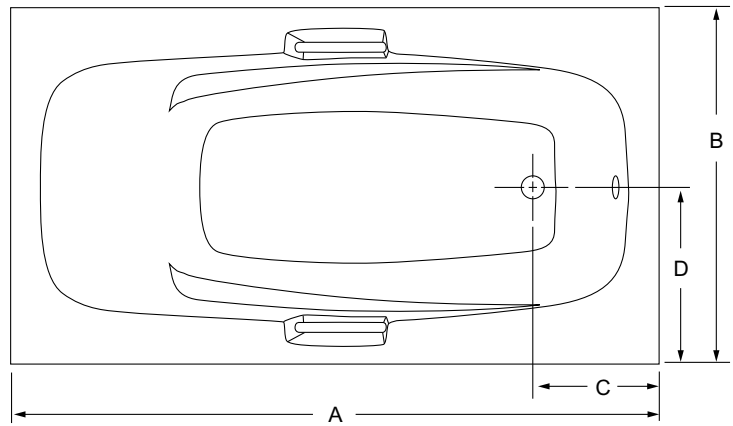


AVDX6636 AVDX7236

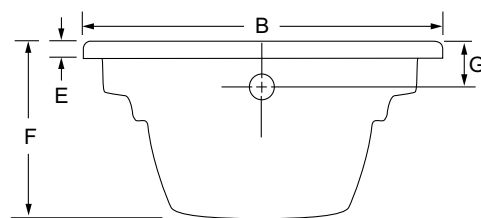


MODEL	A	B	C	D	E	F	G
AVDX6636	66 1675 mm	36 915	9 230	18 460	2 50	19 483	3 75
AVDX7236	71¼ 1810 mm	35½ 902	8½ 216	17¾ 451	2 50	19½ 495	3 75

TOP VIEW



END VIEW



Specifications

Venco acrylic bathware is manufactured from .125 gauge solid acrylic sheet, reinforced with heavy-duty fiberglass to provide a sanitary, unbroken, smooth surface. Reinforcing and contouring gives added strength. Venco bathware is warranted against factory defects for five years.

All product measurements are to the outside of flange. Measurements plus (+) or minus (-) 1/4".

All Venco Products are Canadian Standards Association certified



7584 Vantage Place, Delta, BC V4G 1A5
Phone (604) 940-4960 • Fax (604) 940-9733
email: venco@telus.net
www.venco.ca

Water Capacity (Imperial Gallons)

MODEL	Minimum	Maximum
AVDX6636	32	52
AVDX7236	36	58