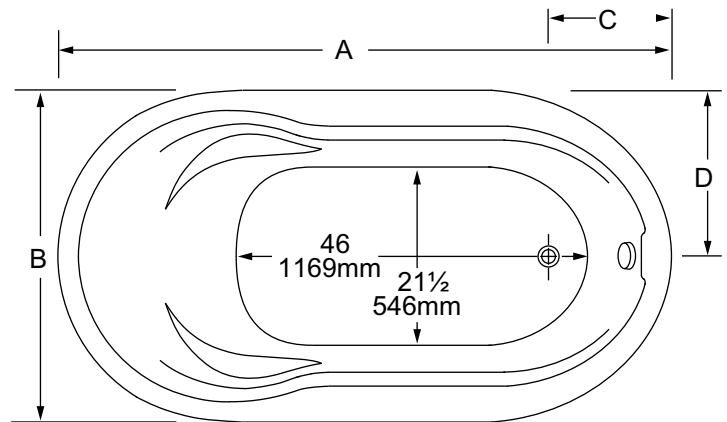


# AVDX6535ND

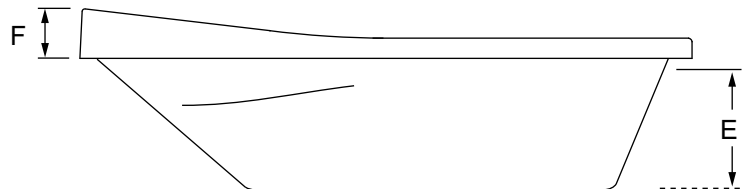


MODEL	A	B	C	D	E	F
AVDX6535ND	65¼ 1658 mm	35½ 902	8½ 216	17¾ 451	16⅞ 410	5 127

TOP VIEW



SIDE VIEW



## Specifications

Venco acrylic bathware is manufactured from .125 gauge solid acrylic sheet, reinforced with heavy-duty fiberglass to provide a sanitary, unbroken, smooth surface. Reinforcing and contouring gives added strength. Venco bathware is warranted against factory defects for five years.

*All product measurements are to the outside of flange. Measurements plus (+) or minus (-) ¼".*

*All Venco Products are Canadian Standards Association certified*



7584 Vantage Place, Delta, BC V4G 1A5  
 Phone (604) 940-4960 • Fax (604) 940-9733  
 email: venco@telus.net  
 www.venco.ca

Water Capacity (Imperial Gallons)

MODEL	Minimum	Maximum
AVDX6535ND	38	65