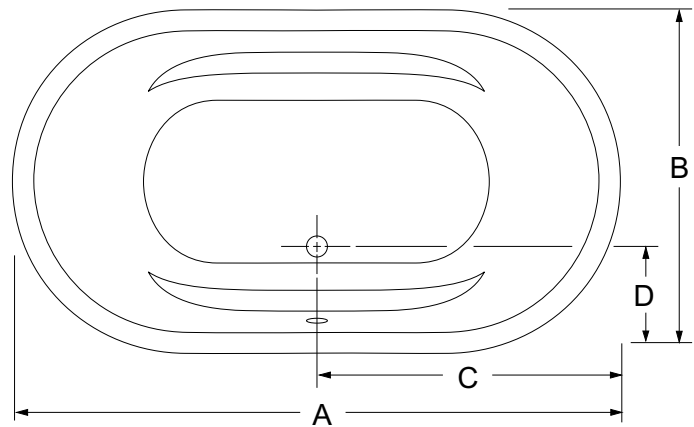


# AV02P6940

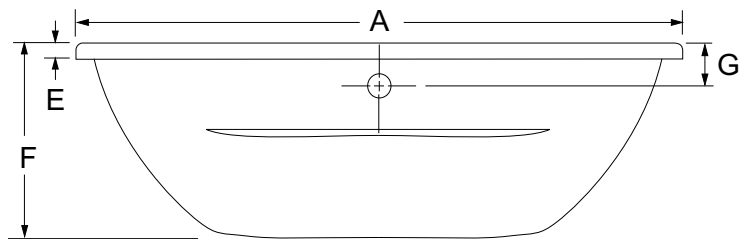


MODEL	A	B	C	D	E	F	G
AV02P6940	69 1753 mm	39½ 1003	34½ 876	10 254	1½ 38	21¼ 540	3¼ 82

TOP VIEW



SIDE VIEW



## Specifications

Venco acrylic bathware is manufactured from .125 gauge solid acrylic sheet, reinforced with heavy-duty fiberglass to provide a sanitary, unbroken, smooth surface. Reinforcing and contouring gives added strength. Venco bathware is warranted against factory defects for five years.

*All product measurements are to the outside of flange. Measurements plus (+) or minus (-) 1/4".*

*All Venco Products are Canadian Standards Association certified*



7584 Vantage Place, Delta, BC V4G 1A5  
 Phone (604) 940-4960 • Fax (604) 940-9733  
 email: venco@telus.net  
 www.venco.ca

Water Capacity (Imperial Gallons)

MODEL	Minimum	Maximum
AV02P6940	40	65