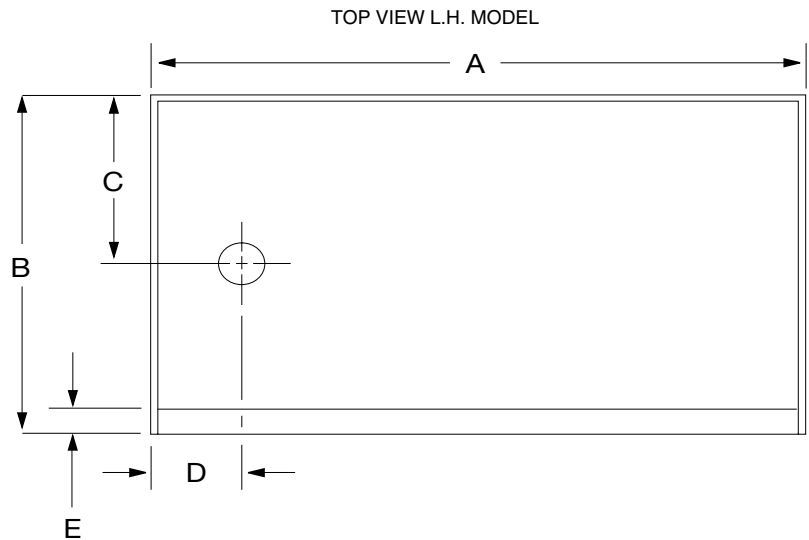


AVB6030L/R



MODEL	A	B	C	D	E	Height
AVB6030 L/R	59 $\frac{3}{4}$ 1518 mm	30 762	15 381	9 $\frac{1}{4}$ 235	2 $\frac{1}{2}$ 64	5 $\frac{1}{2}$ 140



Specifications

Venco acrylic bathware is manufactured from .125 gauge solid acrylic sheet, reinforced with heavy-duty fiberglass to provide a sanitary, unbroken, smooth surface. Reinforcing and contouring gives added strength. Venco bathware is warranted against factory defects for five years.

All product measurements are to the outside of flange. Measurements plus (+) or minus (-) $\frac{1}{4}$ ".

All Venco Products are Canadian Standards Association certified.



7584 Vantage Place, Delta, BC V4G 1A5
Phone (604) 940-4960 • Fax (604) 940-9733
email: venco@telus.net
www.venco.ca