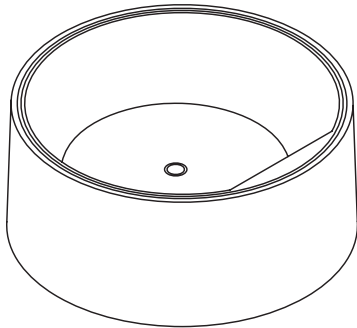


Brunello 54 VA01



Specifications

Venco acrylic bathware is manufactured from .125 gauge solid acrylic sheet, reinforced with heavy-duty fibreglass to provide a sanitary, unbroken, smooth surface. Reinforcing and contouring gives added strength. Venco bathware is warranted against factory defects for five years.

All product measurements are to the outside of flange. Measurements plus (+) or minus (-) 1/4".

ANSI Z124.1.2 – 2005 Compliant

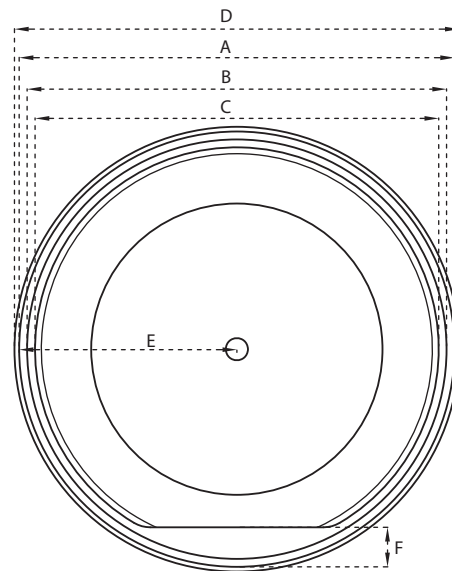


7584 Vantage Place, Delta, BC V4G 1A5
Phone: 604-940-4960 Fax: 604-940-9733
Email: venco@telus.net
www.venco.ca

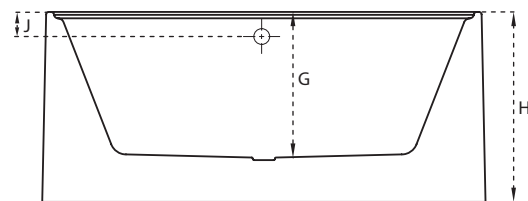


MODEL	A	B	C	D	E	F	G	H	J
Brunello 54 VA01	54 ¹ / ₈ 1375mm	51 ³ / ₄ 1315	50 1270	55 ³ / ₈ 1405	27 685	5 125	18 ¹ / ₈ 460	23 ⁵ / ₈ 600	2 ¹ / ₂ 64

TOP VIEW



SIDE VIEW



Water capacity (Imperial Gallons)

MODEL	MAXIMUM
Brunello 54 VA01	75