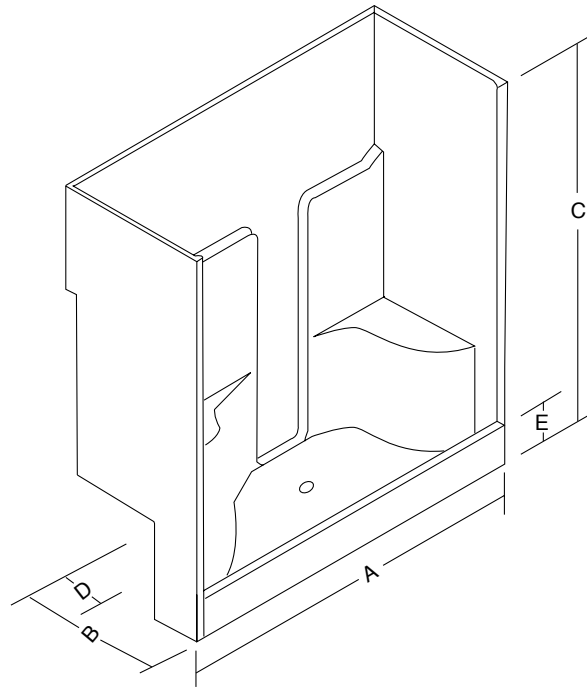


# 4836 DS



MODEL	A	B	C	D	E	Door Opening	Cap Optional
4836 DS	48 $\frac{1}{4}$	35 $\frac{1}{2}$	73	16	6	43 $\frac{3}{4}$	No
Shodor 791	- 43 $\frac{3}{4}$ x 68 $\frac{1}{2}$						



## Specifications

The shower unit shall be a gel-coated, heavy-duty fiberglass reinforced unit to provide a sanitary, unbroken, smooth surface.

Reinforcing and contouring gives added strength. The units shall have one inch nailing flanges on front and top edges and warranted against factory defects for three years.

*All product measurements are to the outside of nailing flange. Measurements plus (+) or minus (-)  $\frac{1}{4}$ ".*

*All Venco Products are Canadian Standards Association certified*



7584 Vantage Place, Delta, BC V4G 1A5  
Phone (604) 940-4960 • Fax (604) 940-9733  
email: venco@telus.net  
www.venco.ca