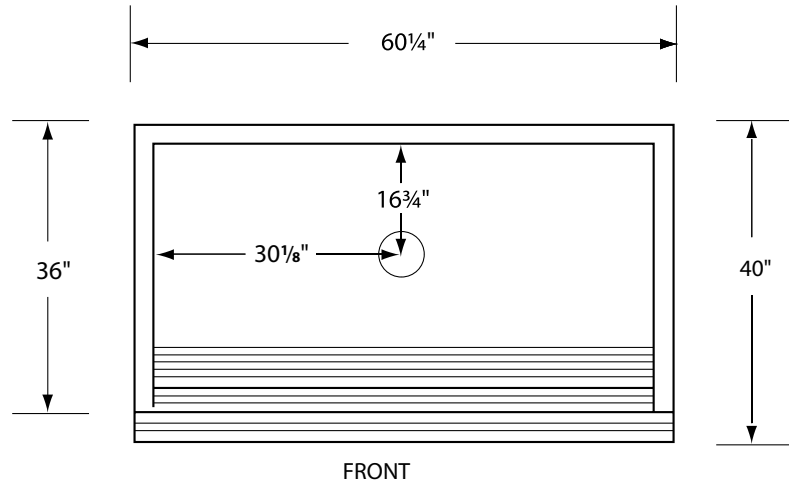


60 WCRB



Wheelchair Accessible Gelcoat Shower Base

Designed for easy and safe showering in a wheelchair. Tiling Flange on three sides for recessed installation. Reduced threshold height for wheelchair entrance.



FRONT

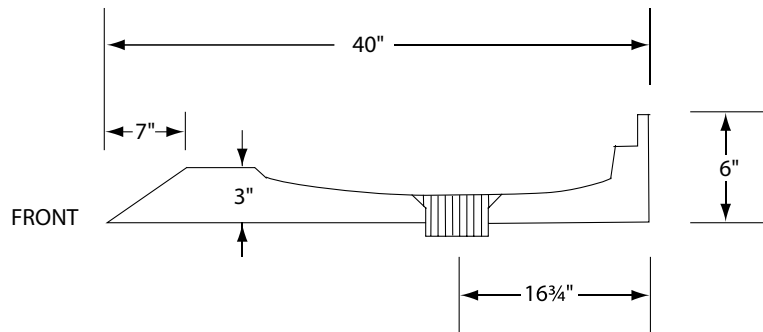
Specifications

The shower unit shall be a gel-coated, heavy-duty fibreglass reinforced unit to provide a sanitary, unbroken, smooth surface.

Reinforcing and contouring gives added strength. The units shall have one inch nailing flanges on front and top edges and warranted against factory defects for three years.

All product measurements are to the outside of nailing flange. Measurements plus (+) or minus (-) 1/4".

All Venco Products are Canadian Standards Association certified.



FRONT



7584 Vantage Place, Delta, BC V4G 1A5
Phone (604) 940-4960 • Fax (604) 940-9733
email: venco@telus.net
www.venco.ca